



clinell[®]

www.clinell.com

Clinically proven
as an acceptable
alternative to
handwashing¹

Antimicrobial Hand Wipes

Within 48 hours of hospital admission 39% of all patients had at least one HCAI-causing pathogen on their hands² and after 7 days, 62% of all patients were positive for enterococcal hand contamination³.

Improved patient cleanliness, specifically the hands, reduces the number of microorganisms available to transfer to healthcare workers and visitors. Clinell Antimicrobial Hand Wipes are designed to clean and disinfect patient hands. Containing Aloe vera, they are ideal for frequent patient use.

ANTIMICROBIAL HAND WIPES

39% of patients have at least one hospital-associated pathogen on their hands within 48 hours of admission².

The importance of patient hand hygiene

Patient hand hygiene is a critical aspect of HCAI prevention^{1,4}. Pathogenic organisms are frequently detected on acute care patients' hands². It has been proven that within 48 hours of admission 39% of patients had at least one hospital-associated pathogen on their hands² and after 7 days, 62% of all patients tested positive for enterococcal hand contamination³. Patients are rarely provided with the opportunity to clean their hands³.

Clinell Antimicrobial Hand Wipes help you to conform to PLACE⁵, EPIC 3⁶ and NHS Choices guidance^{7,8}.

The NHS introduced Patient-Led Assessments of the Care Environment (PLACE) in April 2013 to provide feedback from patients about how the environment or services might be improved. One of the audit questions states: "Were patients offered the chance to wash/clean their hands prior to the food service?"⁵.

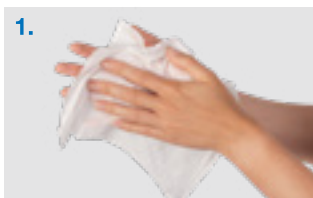
EPIC 3 states that "Patients should be offered the opportunity to clean their hands before meals; after using the toilet, commode or bedpan/urinal; and at other times as appropriate"⁶.

In 2013 the NHS introduced the Friends and Family Test which asks patients whether they would recommend hospital wards they have stayed in to their friends and family if they needed similar care or treatment. This means every patient is able to provide feedback on the quality of the care they receive. It forms part of the Quality Accounts that is set out in the Health Act 2009 and the Health and Social Care Act 2012^{7,8}.

An increased level of patient hygiene can dramatically improve patient experience and reduce the risk of transferring microorganisms to healthcare workers and visitors.

Cleaning and disinfecting hands

Use anytime to rapidly disinfect hands without the need for soap and water. Hands must be cleaned after all patient and healthcare worker interactions, after commode/toilet use and before eating. Rub thoroughly, covering all areas of hands. Discard wipe and continue rubbing until hands are dry. Follow the steps below for at least 30 seconds.



1. Rub hands palm to palm.



2. Rub back of each hand with the palm of other hand with fingers interlaced.



3. Rub palm to palm with fingers interlaced.



4. Rub with backs of fingers to opposing palms with fingers interlocked.



5. Rub each thumb clasped in opposite hand using rotational movement.



6. Rub tips of fingers in opposite palm in a circular motion.



7. Rub each wrist with opposite hand.



8. Discard the wipe in the appropriate waste bin.

Patient hand hygiene represents the next big step in infection prevention⁹.



Antimicrobial wipes for cleaning and disinfecting hands. The formula kills 99.999% of germs without the need for soap and water.

Antimicrobial Hand Wipes

PROVEN BACTERICIDAL EFFICACY

A mix of biocides with different mechanisms of action prevents bacterial resistance and superbug formation¹⁰.

CAN BE USED ON SOILED, VISIBLY DIRTY HANDS

The wipes contain a surfactant to remove dirt, unlike alcohol gel rubs which can only be used on visibly clean hands^{11,12}.

CONFORMS TO EPIC 3, PLACE AND NHS QUALITY ACCOUNTS

Ideal for disinfecting hands before eating and after using the toilet. Our sachets are ideal for placing on patient food trays to use before meals⁵⁻⁸.

FOR CARRYING WITH YOU AT ALL TIMES

Conveniently sized, individual sachets are ideal for carrying with you at all times - at home, in the office, in your car, in bags and also when travelling.

BACTERIA	TEST
<i>Acinetobacter baumannii</i>	EN13727
<i>Enterococcus faecalis</i> (VRE)	EN13727
<i>Enterococcus hirae</i>	EN13727
<i>Escherichia coli</i>	EN13727
<i>Klebsiella pneumoniae</i> (ESBL)	EN13727
Methicillin Resistant <i>Staphylococcus aureus</i>	EN13727
<i>Pseudomonas aeruginosa</i>	EN13727
<i>Staphylococcus aureus</i>	EN13727
MYCOBACTERIA	
<i>Mycobacterium smegmatis</i>	EN14348
<i>Mycobacterium terrae</i>	EN14348
FUNGI	
<i>Candida albicans</i>	EN13624
<i>Candida auris</i>	EN13624
VIRUSES	
Adenovirus	EN14476
Norovirus	EN14476

Powerful formula

Powerful formula consists of a mix of unique biocides (to act as a powerful high grade disinfectant) which offer synergistic and distinct mechanisms of action to prevent development of pathogen resistance over time.

GRAM-POSITIVE BACTERIA

Including: *Staphylococcus aureus* and MRSA, *Enterococci* and VRE.

GRAM-NEGATIVE BACTERIA

Including: *Pseudomonas*, *E. Coli*, *Acinetobacter*, *Klebsiella* and *Salmonella*.

Our Antimicrobial Hand Wipe sachets are clinically proven as an acceptable alternative to hand washing¹.



PRODUCT	UNIT OF ISSUE	ORDER CODE	NHSSC
Antimicrobial Hand Wipes 100	Box of 100 sachets	CAHW100	VJT177
Antimicrobial Hand Wipe Sachet Dispenser	Single unit	CAHWD	-

ANTIMICROBIAL HAND WIPES

Dispensers
available
FREE
to all Clinell
customers*

Clinell's unique wall mounted hand wipe dispenser is hygienic and easily accessible, which increases compliance and effective wipe usage by conveniently providing wipes at the point of use.



Antimicrobial hand wipe sachet dispensers

DELIVER GOOD HAND HYGIENE AT THE POINT OF USE

Clinell's dispenser system has been proven to increase compliance and provide effective wipe usage by conveniently placing wipes where they are most frequently used.

HYGIENIC PULL SYSTEM

No need to touch the dispenser with dirty hands. Simply pull on the next available individually wrapped sachet.

EASY-CLEAN DISPENSER

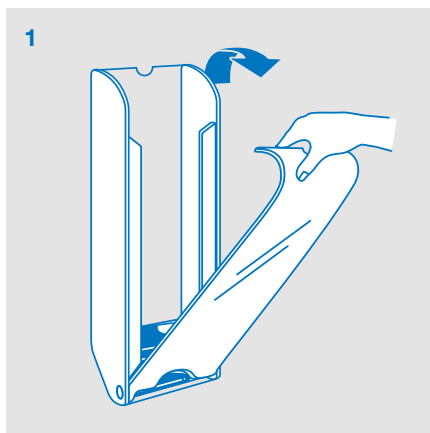
Smooth, easy clean, high density plastic reduces bacteria reservoirs.

QUICK SELF INSTALLATION

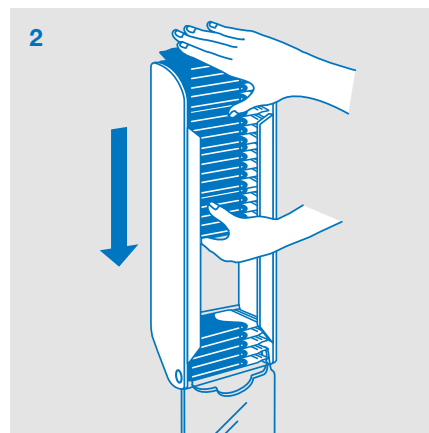
Comes equipped with ready to use, super strong, adhesive tape for quick, easy self installation.

SIMPLE REFILL SYSTEM

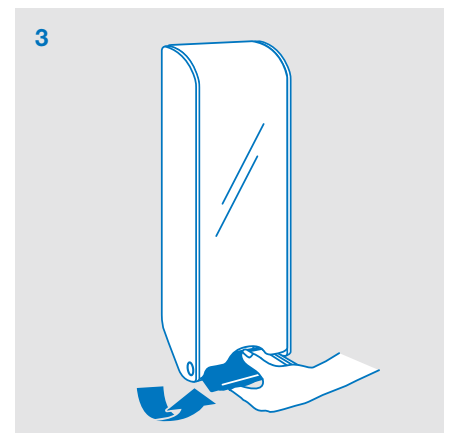
Simple design allows for quick refilling with new wipes.



Easy to load.



Easy to refill.



Easy to dispense.

REFERENCES

1. Wilkinson M, Kiernan M, Wilson J, Loveday H, Bradley C. Assessment of the efficacy of a patient hand wipe; development of a test method. J Hosp Infect. 2017 Aug 18.
2. Istenes et al. Patients' potential role in the transmission of healthcare-associated infections: Prevalence of contamination with bacterial pathogens and patient attitudes toward hand hygiene. Am J Infect Control. 2013 Sep;41(9):793-8.
3. Banfield KR et al. Hand hygiene and health care associated infections. Lancet Infect Dis 2007;7:304.
4. Burnett E. Perceptions, attitudes, and behaviour towards patient hand hygiene. Am J Infect Control 2009;37:638-42.
5. NHS Commissioning board. Patient-led assessments of the care environment. Food assessment –assessors. 2013 <http://www.england.nhs.uk/ourwork/qual-clin-lead/place/>
6. Loveday, H. P, et al. epic3: National Evidence-Based Guidelines for Preventing Healthcare-Associated Infections in NHS Hospitals in England. J. Hosp. Infect. 2014 86: S1-S70.
7. Department of Health. Health Act 2009 Chapter 21. revised 2012.
8. Department of Health. Health and Social Care Act 2012. 15 June 2012.
9. Landers et al. Patient-centered hand hygiene: the next step in infection prevention. Am J Infect Control. 2012 May;40(4 Suppl 1):S11-7.
10. Bloomfield SF. Significance of biocide usage and antimicrobial resistance in domiciliary environments. Journal of Appl Microbiol. 2002; 92(s1).
11. Kampf G, et al. Efficacy of alcohol-based gels compared with simple hand wash hygienic hand disinfection. J Hosp Infect. 2004 Apr;56:2:S13-15.
12. Kramer A, et al. Limited Efficacy of alcohol-based hand gels. The Lancet. 2002 Apr 27;359(9316):1489-90.

* Terms and conditions apply.

JBN190646